

SERIE 3200

---



**sab**

Cuore e Cervello della porta.

# 3200/85-3205/85

Catenaccio Antistrappo e Scrocco  
1-2 Mandate  
Azionamento a cilindro

**FINITURA DI SERIE**

- Piastra frontale, Catenaccio, Scrocco OLV

**DOTAZIONE**

- Contropiastra con aletta Art. 357 OLV
- Vaschetta coprifresata scrocco e catenaccio Art. C371
- Viti di fissaggio
- CILINDRO ESCLUSO

Tamper proof bolt and latch  
1-2 Turns  
Cylinder movement

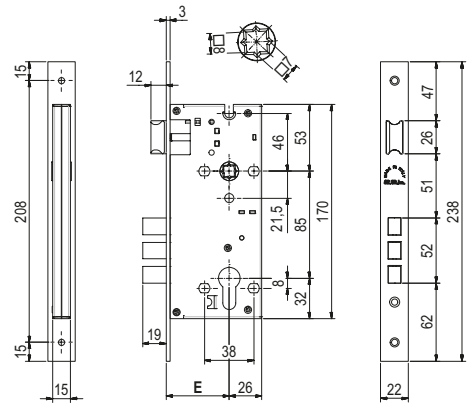
**STANDARD FINISHINGS**

- Front plate, Bolt, Latch OLV

**ACCESSORIES**

- Striking plate with tab Art. 357 OLV
- Plastic bolt and latch milling cover Art. C371
- Fixing screws
- CYLINDER NOT INCLUDED

Serie **3200**



3200/85  
3205/85

Catenaccio Antistrappo e Scrocco | 1-2 Mandate | Azionamento a cilindro

Tamper proof bolt and latch | 1-2 Turns | Cylinder movement

Codice Code	Finitura Finishing						
03200 85 45 ___ 7	---						
03200 85 50 ___ 7	---						
03200 85 60 ___ 7	---	2					
03200 85 70 ___ 7	---						
03200 85 80 ___ 7	---		22x3x238	85			
03205 85 45 ___ 7	---					1	20
03205 85 50 ___ 7	---						
03205 85 60 ___ 7	---	1					
03205 85 70 ___ 7	---						
03205 85 80 ___ 7	---						

Finiture Standard | Standard Finishings

Finiture Speciali | Special Finishings

Finitura Finishing	OLV	OSO	COL OCS ONS	OBO OGR OGM	OBL ONC BLK	ABO SFE	PLO	PVD PVG PRS	XSO INOX
---									

Serrature da infilare a cilindro | Scatola Chiusa  
Mortice locks for profile cylinder | Closed lock case

# T3200/85-T3205/85

Catenaccio Antistrappo e Scrocco  
 1-2 Mandate  
 Azionamento a cilindro  
 Bordo Tondo

## FINITURA DI SERIE

→ Piastra frontale, Catenaccio, Scrocco OLV

## DOTAZIONE

→ Contropiastra con aletta Art. 357T OLV  
 → Vaschetta coprifresata scrocco e catenaccio Art. C371  
 → Viti di fissaggio  
 → CILINDRO ESCLUSO

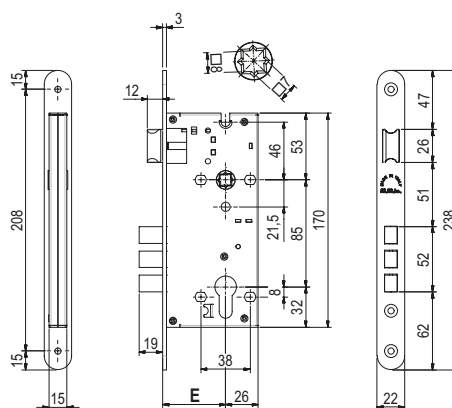
*Tamper proof bolt and latch  
 1-2 Turns  
 Cylinder movement  
 Round Edge*

## STANDARD FINISHINGS

→ Front plate, Bolt, Latch OLV

## ACCESSORIES

→ Striking plate with tab Art. 357T OLV  
 → Plastic bolt and latch milling cover Art. C371  
 → Fixing screws  
 → CYLINDER NOT INCLUDED



Serie  
**3200**



T3200/85 T3205/85		Catenaccio Antistrappo e Scrocco   1-2 Mandate   Azionamento a cilindro   Bordo Tondo					
		<i>Tamper proof bolt and latch   1-2 Turns   Cylinder movement   Round Edge</i>					
Codice Code	Finitura Finishing						
T3200 85 45 ___ 7							
T3200 85 50 ___ 7							
T3200 85 60 ___ 7		2					
T3200 85 70 ___ 7							
T3200 85 80 ___ 7			22x3x238	85			
T3205 85 45 ___ 7						1	20
T3205 85 50 ___ 7							
T3205 85 60 ___ 7		1					
T3205 85 70 ___ 7							
T3205 85 80 ___ 7							

Finitura Finishing	Finiture Standard   Standard Finishings				Finiture Speciali   Special Finishings				
	OLV	OSO	OCL OCS ONS	OBO OGR OGM	OBL ONC BLK	ABO SFE	PLO	PVD PVG PRS	XSO INOX

Serrature da infilare a cilindro | Scatola Chiusa  
 Mortice locks for profile cylinder | Closed lock case

# 3210/85-3215/85

Catenaccio e Scrocco  
1-2 Mandate  
Azionamento a cilindro

Bolt and Latch  
1-2 Turns  
Cylinder movement

**FINITURA DI SERIE**

- Piastra frontale, Catenaccio, Scrocco OLV

**STANDARD FINISHINGS**

- Front plate, Bolt, Latch OLV

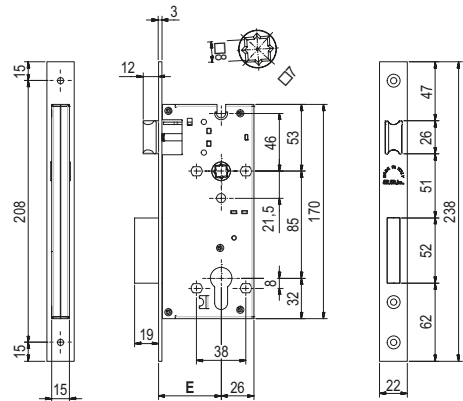
**DOTAZIONE**

- Contropiastra con aletta Art. 357 OLV
- Vaschetta coprifresata scrocco e catenaccio Art. C371
- Viti di fissaggio
- CILINDRO ESCLUSO

**ACCESSORIES**

- Striking plate with tab Art. 357 OLV
- Plastic bolt and latch milling cover Art. C371
- Fixing screws
- CYLINDER NOT INCLUDED

Serie **3200**



Serrature da infilare a cilindro | Scatola Chiusa  
Mortice locks for profile cylinder | Closed lock case

3210/85  
3215/85

Catenaccio e Scrocco | 1-2 Mandate | Azionamento a cilindro  
Bolt and Latch | 1-2 Turns | Cylinder movement

Codice Code	Finitura Finishing						
03210 85 40 ___ 7	---						
03210 85 45 ___ 7	---						
03210 85 50 ___ 7	---	2					
03210 85 60 ___ 7	---						
03210 85 70 ___ 7	---						
03210 85 80 ___ 7	---						
03215 85 40 ___ 7	---			22x3x238	85		1
03215 85 45 ___ 7	---						
03215 85 50 ___ 7	---	1					
03215 85 60 ___ 7	---						
03215 85 70 ___ 7	---						
03215 85 80 ___ 7	---						
03215 85 80 ___ 7	---						

Finitura Finishing	Finiture Standard   Standard Finishings					Finiture Speciali   Special Finishings				
	OLV	OSO	OCL OCS ONS	OBO OGR OGM	OBL ONC BLK	ABO SFE	PLO	PVD PVG PRS	XSO INOX	
---										

# T3210/85-T3215/85

Catenaccio e Scrocco  
1-2 Mandate  
Azionamento a cilindro  
Bordo Tondo

Bolt and Latch  
1-2 Turns  
Cylinder movement  
Round Edge

## FINITURA DI SERIE

→ Piastra frontale, Catenaccio, Scrocco OLV

## STANDARD FINISHINGS

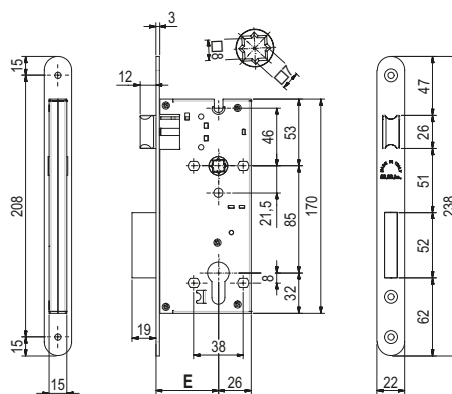
→ Front plate, Bolt, Latch OLV

## DOTAZIONE

→ Contropiastra con aletta Art. 357T OLV  
→ Vaschetta coprifresata scrocco e catenaccio Art. C371  
→ Viti di fissaggio  
→ CILINDRO ESCLUSO

## ACCESSORIES

→ Striking plate with tab Art. 357T OLV  
→ Plastic bolt and latch milling cover Art. C371  
→ Fixing screws  
→ CYLINDER NOT INCLUDED



Serie  
**3200**



T3210/85 T3215/85		Catenaccio e Scrocco   1-2 Mandate   Azionamento a cilindro   Bordo Tondo					
		<i>Bolt and Latch   1-2 Turns   Cylinder movement   Round Edge</i>					
Codice Code	Finitura Finishing						
T3210 85 40 ___ 7	---						
T3210 85 45 ___ 7	---						
T3210 85 50 ___ 7	---	2					
T3210 85 60 ___ 7							
T3210 85 70 ___ 7							
T3210 85 80 ___ 7							
T3215 85 40 ___ 7	---		22x3x238	85		1	20
T3215 85 45 ___ 7	---						
T3215 85 50 ___ 7	---	1					
T3215 85 60 ___ 7							
T3215 85 70 ___ 7							
T3215 85 80 ___ 7							

Finitura  
Finishing  
---

Finiture Standard | Standard Finishings

Finiture Speciali | Special Finishings

<b>OLV</b>	<b>OSO</b>	<b>OCL OCS ONS</b>	<b>OBO OGR OGM</b>	<b>OBL ONC BLK</b>	<b>ABO SFE</b>	<b>PLO</b>	<b>PVD PVG PRS</b>	<b>XSO INOX</b>
------------	------------	----------------------------	----------------------------	----------------------------	--------------------	------------	----------------------------	---------------------

Serrature da infilare a cilindro | Scatola Chiusa  
Mortice locks for profile cylinder | Closed lock case

# 3216/85

Serratura per bagno  
 Doppio quadro 8mm  
 Catenaccio e Scrocco  
 1 Mandata  
 Azionamento quadro 8mm

Bathroom lock  
 Double square hole 8mm  
 Bolt and Latch  
 1 Turn  
 Square hole movement

**FINITURA DI SERIE**

- Piastra frontale, Catenaccio, Scrocco OLV

**STANDARD FINISHINGS**

- Front plate, Bolt, Latch OLV

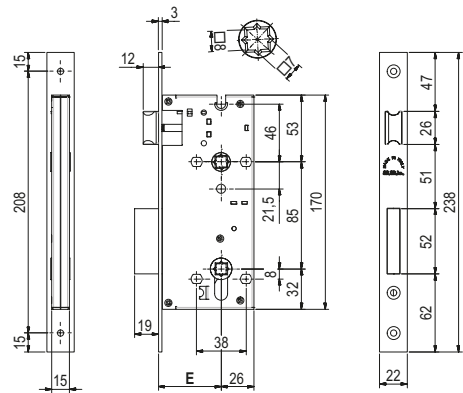
**DOTAZIONE**

- Contropiastra con aletta Art. 357 OLV
- Vaschetta coprifresata scrocco e catenaccio Art. C371
- Viti di fissaggio

**ACCESSORIES**

- Striking plate with tab Art. 357 OLV
- Plastic bolt and latch milling cover Art. C371
- Fixing screws

Serie **3200**



**3216/85**

Serratura per bagno | Doppio quadro 8mm | Catenaccio e Scrocco | 1 Mandata | Azionamento quadro 8mm  
 Bathroom lock | Double square hole 8mm | Bolt and Latch | 1 Turn | Square hole movement

Codice Code	Finitura Finishing					
03216 85 40 ___ 7	---					
03216 85 45 ___ 7	---					
03216 85 50 ___ 7	---					
03216 85 60 ___ 7	---	1	22x3x238	85	1	20
03216 85 70 ___ 7	---					
03216 85 80 ___ 7	---					

Finitura Finishing	Finiture Standard   Standard Finishings					Finiture Speciali   Special Finishings			
	OLV	OSO	OCL OCS ONS	OBO OGR OGM	OBL ONC BLK	ABO SFE	PLO	PVD PVG PRS	XSO INOX
---									

Serrature da infilare a cilindro | Scatola Chiusa  
 Mortice locks for profile cylinder | Closed lock case

# T3216/85

Serratura per bagno  
 Doppio quadro 8mm  
 Catenaccio e Scrocco  
 1 Mandata  
 Azionamento quadro 8mm | Bordo Tondo

Bathroom lock  
 Double square hole 8mm  
 Bolt and Latch  
 1 Turn  
 Square hole movement | Round Edge

## FINITURA DI SERIE

→ Piastra frontale, Catenaccio, Scrocco OLV

## STANDARD FINISHINGS

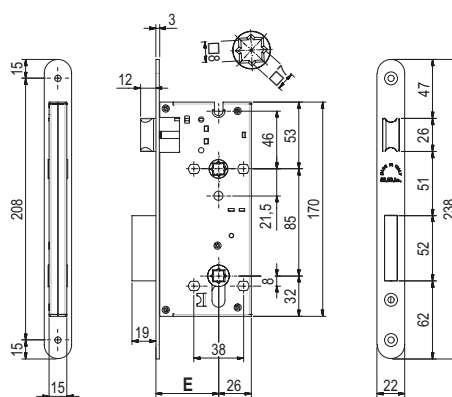
→ Front plate, Bolt, Latch OLV

## DOTAZIONE

→ Contropiastra con aletta Art. 357T OLV  
 → Vaschetta coprifresata scrocco e catenaccio Art. C371  
 → Viti di fissaggio

## ACCESSORIES

→ Striking plate with tab Art. 357T OLV  
 → Plastic bolt and latch milling cover Art. C371  
 → Fixing screws



Serie  
**3200**



**T3216/85** Serratura per bagno | Doppio quadro 8mm | Catenaccio e Scrocco | 1 Mandata | Azionamento quadro 8mm | Bordo Tondo  
*Bathroom lock | Double square hole 8mm | Bolt and Latch | 1 Turn | Square hole movement | Round Edge*

Codice Code	Finitura Finishing						
T3216 85 40 ___ 7	---						
T3216 85 45 ___ 7	---						
T3216 85 50 ___ 7	---	1	22x3x238	85		1	20
T3216 85 60 ___ 7	---						
T3216 85 70 ___ 7	---						
T3216 85 80 ___ 7	---						

Finitura Finishing	Finiture Standard   Standard Finishings					Finiture Speciali   Special Finishings				
	OLV	OSO	OCL OCS ONS	OBO OGR OGM	OBL ONC BLK	ABO SFE	PLO	PVD PVG PRS	XSO INOX	
---										

Serrature da infilare a cilindro | Scatola Chiusa  
 Mortice locks for profile cylinder | Closed lock case



# 3202-3207

Catenaccio Antistrappo  
 Rullo registrabile  
 1-2 Mandate  
 Azionamento a cilindro

Tamper proof bolt  
 Adjustable roller  
 1-2 Turns  
 Cylinder movement

**FINITURA DI SERIE**

- Piastra frontale, Catenaccio, Rullo OLV

**STANDARD FINISHINGS**

- Front plate, Bolt, Roller OLV

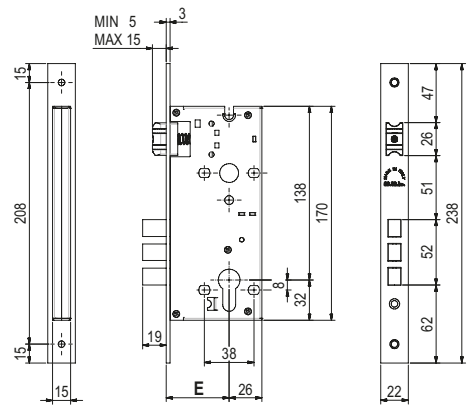
**DOTAZIONE**

- Contropiastra con aletta Art. 357R OLV
- Vaschetta coprifresata scrocco e catenaccio Art. C371
- Viti di fissaggio
- CILINDRO ESCLUSO

**ACCESSORIES**

- Striking plate with tab Art. 357R OLV
- Plastic bolt and latch milling cover Art. C371
- Fixing screws
- CYLINDER NOT INCLUDED

Serie **3200**



Serrature da infilare a cilindro | Scatola Chiusa  
 Mortice locks for profile cylinder | Closed lock case

3202 3207		Catenaccio Antistrappo   Rullo registrabile   1-2 Mandate   Azionamento a cilindro Tamper proof bolt   Adjustable roller   1-2 Turns   Cylinder movement			
Codice Code	Finitura Finishing				
03202 45 ___ 7	---			45	
03202 50 ___ 7	---			50	
03202 60 ___ 7	---	2		60	
03202 70 ___ 7	---			70	
03202 80 ___ 7	---		22x3x238	80	
03207 45 ___ 7	---			45	1 20
03207 50 ___ 7	---			50	
03207 60 ___ 7	---	1		60	
03207 70 ___ 7	---			70	
03207 80 ___ 7	---			80	

Finitura  
Finishing  
---

Finiture Standard   Standard Finishings					Finiture Speciali   Special Finishings				
<b>OLV</b>	<b>OSO</b>	<b>OCL OCS ONS</b>	<b>OBO OGR OGM</b>	<b>OBL ONC BLK</b>	<b>ABO SFE</b>	<b>PLO</b>	<b>PVD PVG PRS</b>	<b>XSO INOX</b>	

# T3202-T3207

Catenaccio Antistrappo  
 Rullo registrabile  
 1-2 Mandate  
 Azionamento a cilindro  
 Bordo Tondo

Tamper proof bolt  
 Adjustable roller  
 1-2 Turns  
 Cylinder movement  
 Round Edge

## FINITURA DI SERIE

- Piastra frontale, Catenaccio, Rullo OLV

## STANDARD FINISHINGS

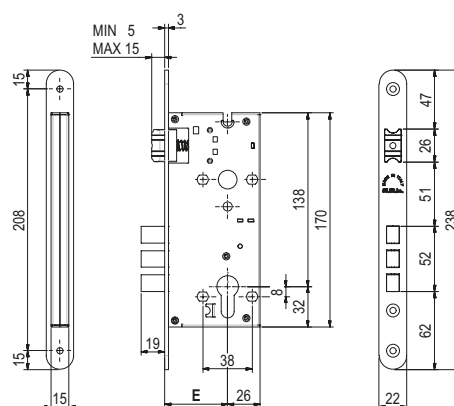
- Front plate, Bolt, Roller OLV

## DOTAZIONE

- Contropiastra con aletta Art. 357RT OLV
- Vaschetta coprifresata scrocco e catenaccio Art. C371
- Viti di fissaggio
- CILINDRO ESCLUSO

## ACCESSORIES

- Striking plate with tab Art. 357RT OLV
- Plastic bolt and latch milling cover Art. C371
- Fixing screws
- CYLINDER NOT INCLUDED



Serie  
3200



T3202  
T3207

Catenaccio Antistrappo | Rullo registrabile | 1-2 Mandate | Azionamento a cilindro | Bordo Tondo

Tamper proof bolt | Adjustable roller | 1-2 Turns | Cylinder movement | Round Edge

Codice Code	Finitura Finishing					
T3202 45 ___ 7				45		
T3202 50 ___ 7				50		
T3202 60 ___ 7		2		60		
T3202 70 ___ 7				70		
T3202 80 ___ 7			22x3x238	80		
T3207 45 ___ 7				45	1	20
T3207 50 ___ 7				50		
T3207 60 ___ 7		1		60		
T3207 70 ___ 7				70		
T3207 80 ___ 7				80		

Finitura  
Finishing

Finiture Standard | Standard Finishings

Finiture Speciali | Special Finishings

OLV	OSO	OCL OCS ONS	OBO OGR OGM	OBL ONC BLK	ABO SFE	PLO	PVD PVG PRS	XSO INOX
-----	-----	-------------------	-------------------	-------------------	------------	-----	-------------------	-------------

Serrature da infilare a cilindro | Scatola Chiusa  
 Mortice locks for profile cylinder | Closed lock case

# 3212-3217

Catenaccio  
 Rullo registrabile  
 1-2 Mandate  
 Azionamento a cilindro

Bolt  
 Adjustable roller  
 1-2 Turns  
 Cylinder movement

FINITURA DI SERIE

- Piastra frontale, Catenaccio, Rullo OLV

STANDARD FINISHINGS

- Front plate, Bolt, Roller OLV

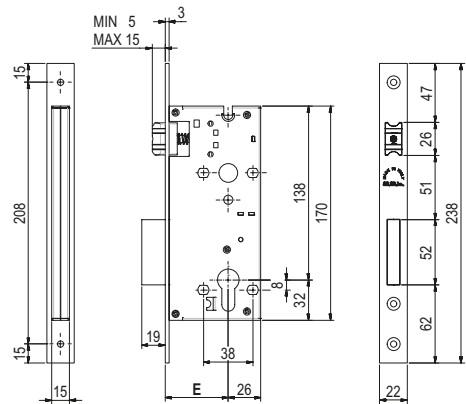
DOTAZIONE

- Contropiastra con aletta Art. 357R OLV
- Vaschetta coprifresata scrocco e catenaccio Art. C371
- Viti di fissaggio
- CILINDRO ESCLUSO

ACCESSORIES

- Striking plate with tab Art. 357R OLV
- Plastic bolt and latch milling cover Art. C371
- Fixing screws
- CYLINDER NOT INCLUDED

Serie **3200**



Serrature da infilare a cilindro | Scatola Chiusa  
 Mortice locks for profile cylinder | Closed lock case

3212 3217		Catenaccio   Rullo registrabile   1-2 Mandate   Azionamento a cilindro	
		Bolt   Adjustable roller   1-2 Turns   Cylinder movement	
Codice Code	Finitura Finishing		
03212 40 ___ 7	---		40
03212 45 ___ 7	---		45
03212 50 ___ 7	---	2	50
03212 60 ___ 7	---		60
03212 70 ___ 7	---		70
03212 80 ___ 7	---		80
03217 40 ___ 7	---	1	40
03217 45 ___ 7	---		45
03217 50 ___ 7	---		50
03217 60 ___ 7	---		60
03217 70 ___ 7	---		70
03217 80 ___ 7	---		80

Finitura Finishing	Finiture Standard   Standard Finishings				Finiture Speciali   Special Finishings				
	OLV	OSO	OCL OCS ONS	OBO OGR OGM	OBL ONC BLK	ABO SFE	PLO	PVD PVG PRS	XSO INOX

# T3212-T3217

Catenaccio  
 Rullo registrabile  
 1-2 Mandate  
 Azionamento a cilindro  
 Bordo Tondo

Bolt  
 Adjustable roller  
 1-2 Turns  
 Cylinder movement  
 Round Edge

## FINITURA DI SERIE

→ Piastra frontale, Catenaccio, Rullo OLV

## STANDARD FINISHINGS

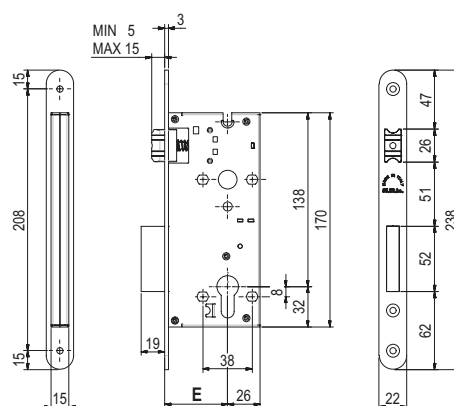
→ Front plate, Bolt, Roller OLV

## DOTAZIONE

→ Contropiastra con aletta Art. 357RT OLV  
 → Vaschetta coprifresata scrocco e catenaccio Art. C371  
 → Viti di fissaggio  
 → CILINDRO ESCLUSO

## ACCESSORIES

→ Striking plate with tab Art. 357RT OLV  
 → Plastic bolt and latch milling cover Art. C371  
 → Fixing screws  
 → CYLINDER NOT INCLUDED



Serie  
**3200**



**T3212**  
**T3217**

Catenaccio | Rullo registrabile | 1-2 Mandate | Azionamento a cilindro | Bordo Tondo

Bolt | Adjustable roller | 1-2 Turns | Cylinder movement | Round Edge

Codice Code	Finitura Finishing					
T3212 40 ___ 7						
T3212 45 ___ 7						
T3212 50 ___ 7						
T3212 60 ___ 7		2				
T3212 70 ___ 7						
<b>T3212 80 ___ 7</b>						
T3217 40 ___ 7			22x3x238		1	20
T3217 45 ___ 7						
T3217 50 ___ 7						
T3217 60 ___ 7		1				
T3217 70 ___ 7						
<b>T3217 80 ___ 7</b>						

Finitura  
Finishing

Finiture Standard | Standard Finishings

Finiture Speciali | Special Finishings

OLV	OSO	OCL OCS ONS	OBO OGR OGM	OBL ONC BLK	ABO SFE	PLO	PVD PVG PRS	XSO INOX
-----	-----	-------------------	-------------------	-------------------	------------	-----	-------------------	-------------

Serrature da infilare a cilindro | Scatola Chiusa  
 Mortice locks for profile cylinder | Closed lock case