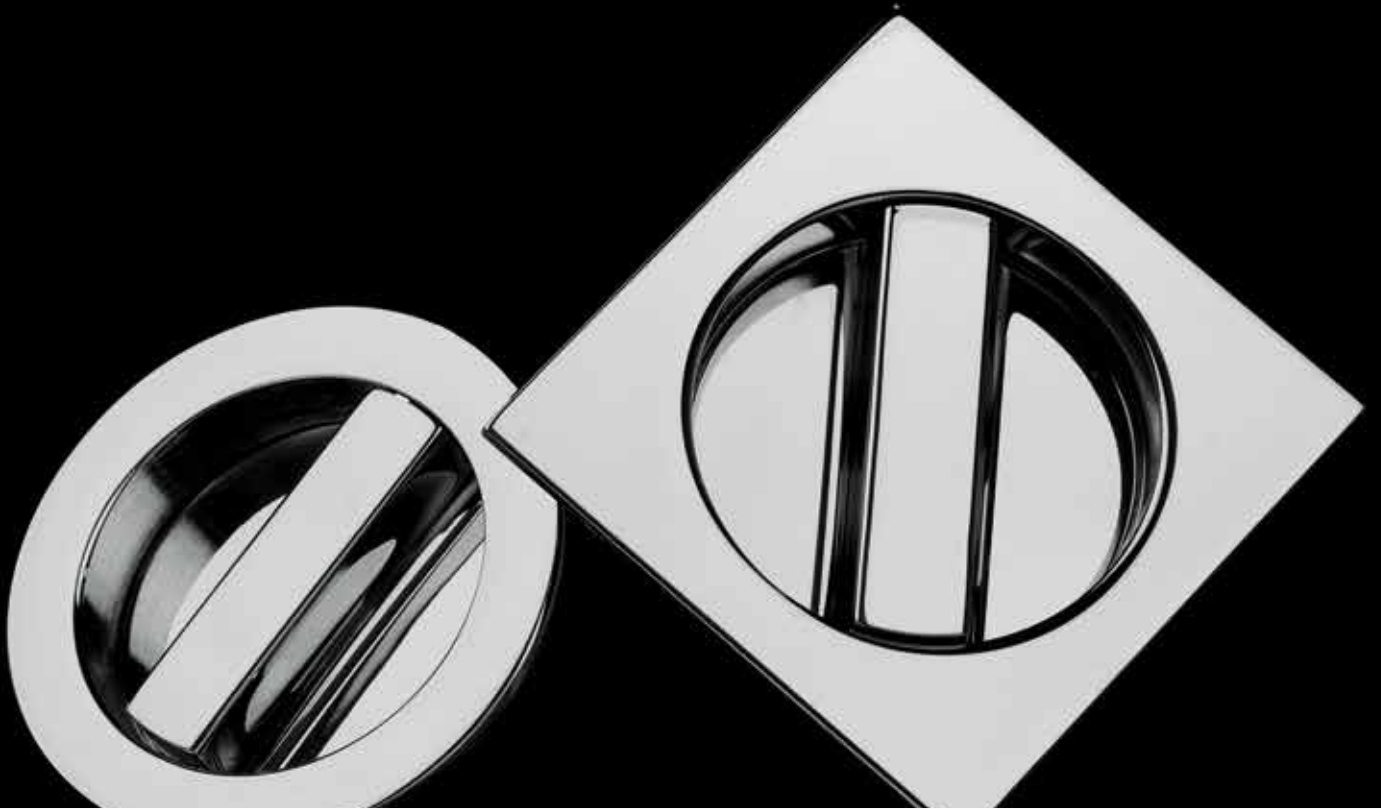


Hooky
ZERO Ext.

SERIE 2300



sab

Cuore e Cervello della porta.

2300 HookyZERO Ext. ++

Video installazione
Installation video



Sistema di montaggio brevettato utilizzabile con tutti i tipi di serrature a gancio per porte scorrevoli
Patented system suitable for all type of hook-bolt locks for sliding doors

+ Kit Maniglie ad incasso Innovativo brevettato
Patented Set of Innovative Encased Handles

+ Quadro Telescopico 8mm
Telescopic Spindle 8mm

Ampio range di spessori porta, da 35mm fino a 52mm
Wide range of door thickness, from 35mm up to 52mm



Installazione senza utensili, viti, grani o silicone
Installation without tools, screws or glue



Quadro telescopico integrato nelle maniglie del kit, si adatta automaticamente allo spessore della porta senza aggiustamenti della lunghezza

The telescopic spindle is perfectly integrated into the handles and automatically adapts to the thickness of the door during the installation without adjusting its length





Meno di 1 minuto per installare manualmente il kit completo sulla porta

Less than 1 minute to manually install the complete kit on the door



Design minimale e moderno senza alcuna sporgenza del pomolo dalla placca

Minimalist and modern design without projection of the knob beyond the plate

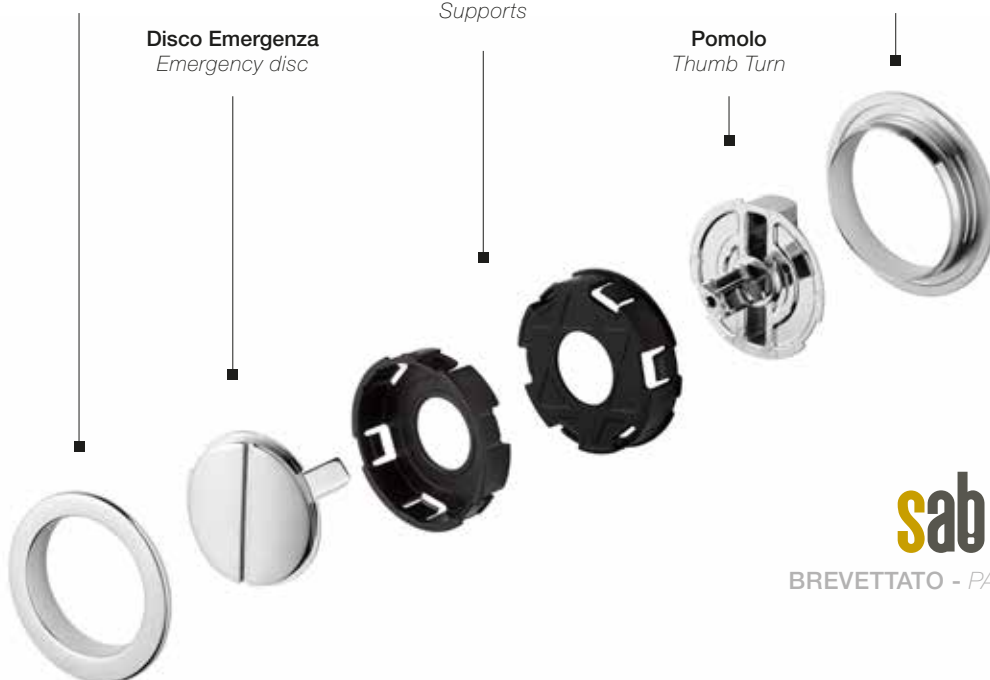
Placca - Frame

Disco Emergenza
Emergency disc

Supporti
Supports

Pomolo
Thumb Turn

Placca - Frame



sab
BREVETTATO - PATENDEO



KS023 T40A

Kit HookyZERO Ext. placche incasso TONDE | Pomolo + Emergenza
 QUADRO TELESCOPICO INTEGRATO 8mm

Kit HookyZERO Ext. with ROUND encased plates | Knob + Emergency
 INTEGRATED TELESCOPIC SPINDLE 8mm

FINITURA DI SERIE

- Placche incasso, Maniglia frontale OLV, OCL, OCS, ONS, OGR, OGM, BLK

STANDARD FINISHINGS

- Encased plate, Pull ring OLV, OCL, OCS, ONS, OGR, OGM, BLK

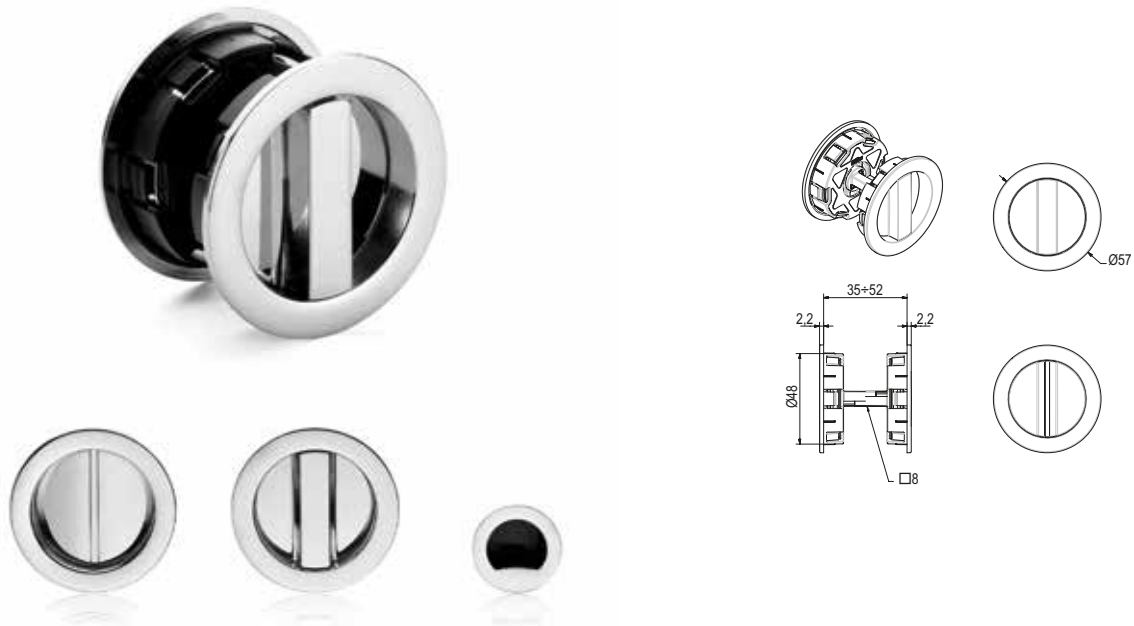
DOTAZIONE

- Placche incasso Tonde KS023 T40 Pomolo + Emergenza
- Maniglia frontale Art. 373

ACCESSORIES

- Round encased plates KS023 T40 Knob + Emergency
- Pull ring Art. 373

Serie 2300 HookyZERO Ext.



Placche ad incasso per porte scorrevoli | Quadro telescopico 8mm
 Encased Plates for sliding doors | Telescopic spindle 8mm

KS023 T40A		Kit HookyZERO Ext. placche incasso TONDE Pomolo + Emergenza QUADRO TELESCOPICO INTEGRATO 8mm	
		Kit HookyZERO Ext. with ROUND encased plates Knob + Emergency INTEGRATED TELESCOPIC SPINDLE 8mm	
Codice Code	Finitura Finishing		
KS023 T40A _ _ _	---	1	36
Finiture Standard Standard Finishings			
Finitura Finishing	OLV	OCL OCS ONS	OGR OGM
---			BLK

2306 T40 - 2308 T40

Serratura Art. 2306 + Kit HookyZERO Ext. placche incasso TONDE | Pomolo + Emergenza
 QUADRO TELESCOPICO INTEGRATO 8mm

Lock Art. 2306 + Kit HookyZERO Ext. with ROUND encased plates | Knob + Emergency
 INTEGRATED TELESCOPIC SPINDLE 8mm

FINITURA DI SERIE

- Serratura, Placche incasso, Maniglietta frontale OLV, OCL, OCS, ONS, OGR, OGM, BLK

STANDARD FINISHINGS

- Lock, Encased plate, Pull ring OLV, OCL, OCS, ONS, OGR, OGM, BLK

DOTAZIONE

- Serratura Art. 2306 o Art. 2308
- Contropiastra Art. 362 o Art. 364
- Viti fissaggio contropiastra
- Placche incasso Tonde KS023 T40 Pomolo + Emergenza
- Maniglietta frontale Art. 373

ACCESSORIES

- Lock Art. 2306 or Art. 2308
- Striking plate Art. 362 o Art. 364
- Fixing screws for striking plate
- Round encased plates KS023 T40 Knob + Emergency
- Pull ring Art. 373



2306 T40		Serratura Art. 2306 + Kit HookyZERO Ext. placche incasso TONDE Pomolo + Emergenza QUADRO TELESCOPICO INTEGRATO 8mm			
		Lock Art. 2306 + Kit HookyZERO Ext. with ROUND encased plates Knob + Emergency INTEGRATED TELESCOPIC SPINDLE 8mm			
Codice Code	Finitura Finishing				
---	---	F	E		
2306 50 T40	---	16x2,5x158	50	1	36

Finiture Standard | Standard Finishings

Finitura Finishing	OLV	OCL OCS ONS	OGR OGM	BLK



2308 T40		Serratura Art. 2308 + Kit HookyZERO Ext. placche incasso TONDE Pomolo + Emergenza QUADRO TELESCOPICO INTEGRATO 8mm			
		Lock Art. 2308 + Kit HookyZERO Ext. with ROUND encased plates Knob + Emergency INTEGRATED TELESCOPIC SPINDLE 8mm			
Codice Code	Finitura Finishing				
---	---	F	E		
2308 50 T40	---	20x2,5x155	50	1	36

Finiture Standard | Standard Finishings

Finitura Finishing	OLV	OCL OCS ONS	OGR OGM	BLK



KS023 T45A

Kit HookyZERO Ext. placche incasso QUADRE | Pomolo + Emergenza
 QUADRO TELESCOPICO INTEGRATO 8mm

Kit HookyZERO Ext. with SQUARE encased plates | Knob + Emergency
 INTEGRATED TELESCOPIC SPINDLE 8mm

FINITURA DI SERIE

- Placche incasso, Maniglietta frontale OLV, OCL, OCS, ONS, OGR, OGM, BLK

STANDARD FINISHINGS

- Encased plate, Pull ring OLV, OCL, OCS, ONS, OGR, OGM, BLK

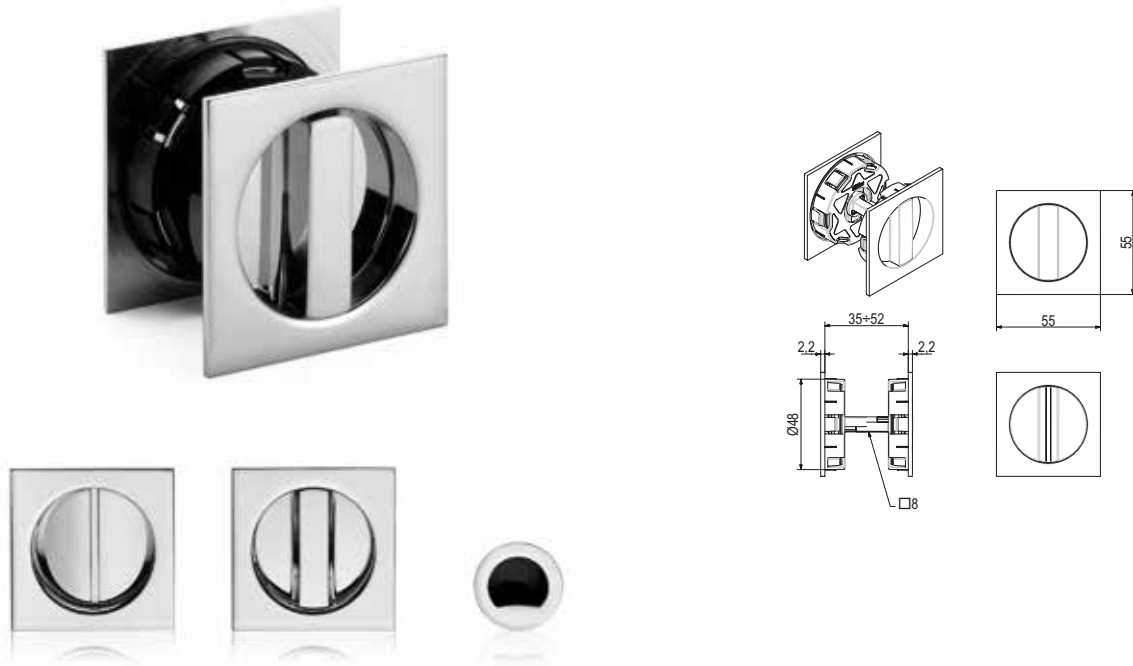
DOTAZIONE

- Placche incasso Quadre KS023 T45 Pomolo + Emergenza
- Maniglietta frontale Art. 373

ACCESSORIES

- Square encased plates KS023 T45 Knob + Emergency
- Pull ring Art. 373

Serie 2300 HookyZERO Ext.



KS023 T45A

Kit HookyZERO Ext. placche incasso QUADRE | Pomolo + Emergenza | QUADRO TELESCOPICO INTEGRATO 8mm

Kit HookyZERO Ext. with SQUARE encased plates | Knob + Emergency | INTEGRATED TELESCOPIC SPINDLE 8mm

Codice
Code

Finitura
Finishing



KS023 T45A _ _ _

1

36

Finiture Standard | Standard Finishings

Finitura
Finishing

OLV	OCL OCS ONS	OGR OGM	BLK
------------	----------------------------	--------------------	------------

Placche ad incasso per porte scorrevoli | Quadro telescopico 8mm
 Encased Plates for sliding doors | Telescopic spindle 8mm

2306 T45 - 2308 T45

Serratura Art. 2306 + Kit HookyZERO Ext. placche incasso QUADRE | Pomolo + Emergenza
QUADRO TELESCOPICO INTEGRATO 8mm

Lock Art. 2306 + Kit HookyZERO Ext. with SQUARE encased plates | Knob + Emergency
INTEGRATED TELESCOPIC SPINDLE 8mm

FINITURA DI SERIE

- Serratura, Placche incasso, Maniglietta frontale OLV, OCL, OCS, ONS, OGR, OGM, BLK

STANDARD FINISHINGS

- Lock, Encased plate, Pull ring OLV, OCL, OCS, ONS, OGR, OGM, BLK

DOTAZIONE

- Serratura Art. 2306 o Art. 2308
- Contropiastra Art. 362 o Art. 364
- Viti fissaggio contropiastra
- Placche incasso Quadre KS023 T45 Pomolo + Emergenza
- Maniglietta frontale Art. 373

ACCESSORIES

- Lock Art. 2306 or Art. 2308
- Striking plate Art. 362 o Art. 364
- Fixing screws for striking plate
- Square encased plates KS023 T45 Knob + Emergency
- Pull ring Art. 373



2306 T45		Serratura Art. 2306 + Kit HookyZERO Ext. placche incasso QUADRE Pomolo + Emergenza QUADRO TELESCOPICO INTEGRATO 8mm			
		Lock Art. 2306 + Kit HookyZERO Ext. with SQUARE encased plates Knob + Emergency INTEGRATED TELESCOPIC SPINDLE 8mm			
Codice Code	Finitura Finishing				
2306 50 T45 _ _ _	---	16x2,5x158	50	1	36

Finiture Standard | Standard Finishings

Finitura Finishing	OLV	OCL OCS ONS	OGR OGM	BLK



2308 T45		Serratura Art. 2308 + Kit HookyZERO Ext. placche incasso QUADRE Pomolo + Emergenza QUADRO TELESCOPICO INTEGRATO 8mm			
		Lock Art. 2308 + Kit HookyZERO Ext. with SQUARE encased plates Knob + Emergency INTEGRATED TELESCOPIC SPINDLE 8mm			
Codice Code	Finitura Finishing				
2308 50 T45 _ _ _	---	20x2,5x155	50	1	36

Finiture Standard | Standard Finishings

Finitura Finishing	OLV	OCL OCS ONS	OGR OGM	BLK

Serie
2300 HookyZERO Ext.



Placche ad incasso per porte scorrevoli | Quadro telescopico 8mm
Encased Plates for sliding doors | Telescopic spindle 8mm

KS023 K22A

Kit HookyZERO Ext. con placche incasso cieche TONDE

Kit HookyZERO Ext. with blind encased plates ROUND

FINITURA DI SERIE

- Placche incasso, Maniglia frontale OLV, OCL, OCS, ONS, OGR, OGM, BLK

STANDARD FINISHINGS

- Encased plate, Pull ring OLV, OCL, OCS, ONS, OGR, OGM, BLK

DOTAZIONE

- Maniglia frontale Art. 373

ACCESSORIES

- Pull ring Art. 373

Serie 2300 HookyZERO Ext.



KS023 K22A

Kit HookyZERO Ext. con placche incasso cieche TONDE

Kit HookyZERO Ext. with blind encased plates ROUND

Codice Code	Finitura Finishing		
KS023 K22A _ _ _	_ _ _	1	36

Finiture Standard | Standard Finishings

Finitura Finishing	OLV	OCL OCS ONS	OGR OGM	BLK
-----------------------	------------	----------------------------	--------------------	------------

Placche ad incasso per porte scorrevoli | Quadro telescopico 8mm
Encased Plates for sliding doors | Telescopic spindle 8mm

KS023 K27A

Kit HookyZERO Ext. con placche incasso cieche QUADRE

Kit HookyZERO Ext. with blind encased plates SQUARE

FINITURA DI SERIE

STANDARD FINISHINGS

→ Placche incasso, Maniglietta frontale OLV, OCL, OCS, ONS, OGR, OGM, BLK

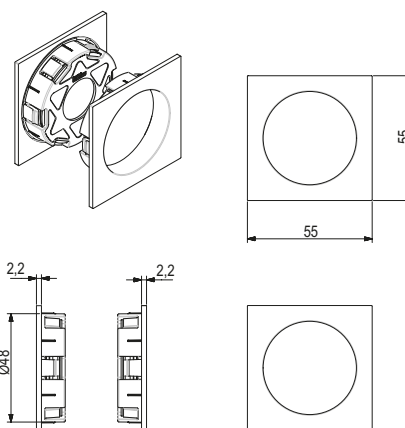
→ Encased plate, Pull ring OLV, OCL, OCS, ONS, OGR, OGM, BLK

DOTAZIONE

ACCESSORIES

→ Maniglietta frontale Art. 373

→ Pull ring Art. 373



KS023 K27A

Kit HookyZERO Ext. con placche incasso cieche QUADRE

Kit HookyZERO Ext. with blind encased plates SQUARE

Codice
Code

Finitura
Finishing

KS023 K27A _ _ _



1

36

Finiture Standard | Standard Finishings

Finitura Finishing	OLV	OCL OCS ONS	OGR OGM	BLK

Serie
2300 HookyZERO Ext.



Placche ad incasso per porte scorrevoli | Quadro telescopico 8mm
Encased Plates for sliding doors | Telescopic spindle 8mm

ESP2300 T40-T45

Espositore Kit HookyZERO Ext.

FINITURA DI SERIE

→ Kit HookyZERO Ext. OCL

DOTAZIONE

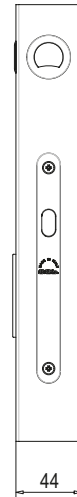
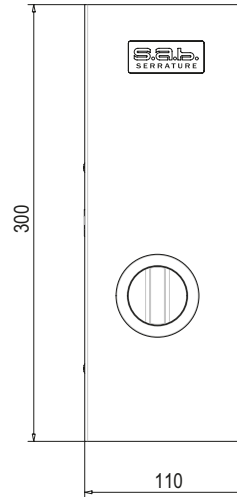
Display for Kit HookyZERO Ext.

STANDARD FINISHINGS

→ Set HookyZERO Ext. OCL

ACCESSORIES

Serie 2300 HookyZERO Ext.



ESP2300
T40-T45

Espositore Kit HookyZERO Ext.

Display for Kit HookyZERO Ext.

Codice
Code

Finitura
Finishing

ESP2300 T40

ESP2300 T45



1

1

Finiture Standard | Standard Finishings

Finitura
Finishing

OLV

**OCL
OCS
ONS**

**OGR
OGM**

BLK

Piacche ad incasso per porte scorrevoli | Quadro telescopico 8mm
Encased Plates for sliding doors | Telescopic spindle 8mm



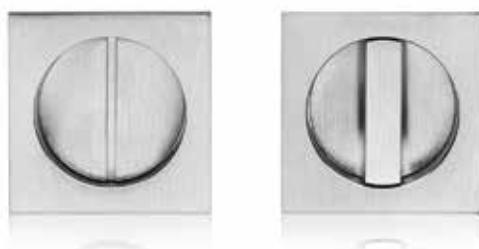
OLV
 OTTONE LUCIDO
 VERNICIATO
 POLISHED AND
 LACQUERED BRASS



OCL
 CROMO LUCIDO
 POLISH CHROME



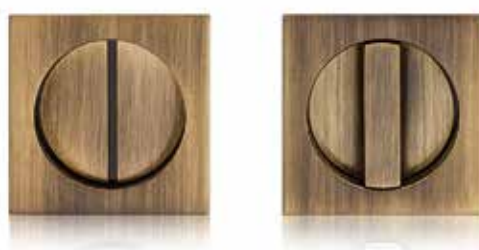
OCS
 CROMO SATINATO
 SATIN CHROME



ONS
 NICHEL SATINATO
 SATIN NICKEL



OGR
 BRONZO GRAFFIATO
 ANTIQUE BRONZE



OGM
 BRONZO GRAFFIATO OPACO
 ANTIQUE BRONZE MATT



BLK
 ANTIQUE BRONZE
 MATT BLACK

Serie
2300 HookyZERO Ext.



Placche ad incasso per porte scorrevoli | Quadro telescopico QT 8mm
 Encased Plates for sliding doors | Telescopic spindle QT 8mm