

SERIE 3200

DIAMONDS



S.A.B.

Made in Italy

W3210/85-W3215/85

Catenaccio e Scrocco
1-2 Mandate
Azionamento a cilindro
Mesh SWAROVSKI

FINITURA DI SERIE

- Piastra frontale, Catenaccio, Scrocco OLV

DOTAZIONE

- Contropiastra con aletta Art. 357 OLV
- Vaschetta coprifresata scrocco e catenaccio Art. C371
- Viti di fissaggio
- CILINDRO ESCLUSO

Bolt and Latch
1-2 Turns
Cylinder movement
SWAROVSKI Mesh

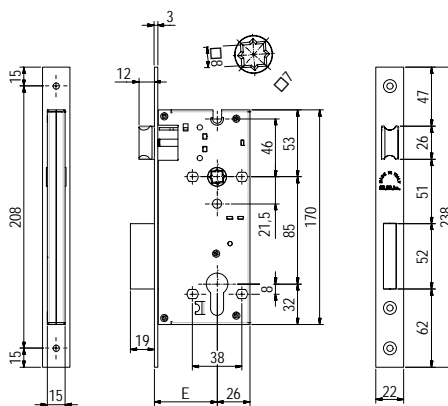
STANDARD FINISHINGS

- Front plate, Bolt, Latch OLV

ACCESSORIES

- Striking plate with tab Art. 357 OLV
- Plastic bolt and latch milling cover Art. C371
- Fixing screws
- CYLINDER NOT INCLUDED

Serie 3200 - DIAMONDS



Serrature da infilare a cilindro | Scatola Chiusa | DIAMONDS
Mortice locks for profile cylinder | Closed lock case | DIAMONDS

W3210/85
W3215/85

Catenaccio e Scrocco | 1-2 Mandate | Azionamento a cilindro | Mesh SWAROVSKI

Bolt and Latch | 1-2 Turns | Cylinder movement | SWAROVSKI Mesh

Codice Code	Finitura Finishing						
W3210 85 40 ___ 7	---						
W3210 85 45 ___ 7	---						
W3210 85 50 ___ 7	---						
W3210 85 60 ___ 7	---	2					
W3210 85 70 ___ 7	---						
W3210 85 80 ___ 7	---						
W3215 85 40 ___ 7	---		22x3x238	85		1	20
W3215 85 45 ___ 7	---						
W3215 85 50 ___ 7	---						
W3215 85 60 ___ 7	---	1					
W3215 85 70 ___ 7	---						
W3215 85 80 ___ 7	---						

Finiture Standard | Standard Finishings

Finitura
Finishing

OLV	PLO		OCL ONS	OGM
-----	-----	--	------------	-----

W3216/85

Serratura per bagno
Doppio quadro 8mm
Catenaccio e Scrocco
1 Mandata
Azionamento quadro 8mm
Mesh SWAROVSKI

Bathroom lock
Double square hole 8mm
Bolt and Latch
1 Turn
Square hole movement
SWAROVSKI Mesh

FINITURA DI SERIE

- Piastra frontale, Catenaccio, Scrocco OLV

DOTAZIONE

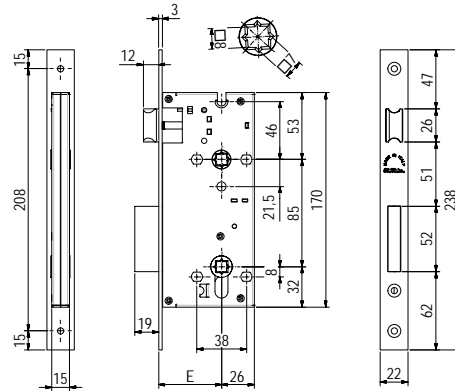
- Contropiastra con aletta Art. 357 OLV
- Vaschetta coprifresata scrocco e catenaccio Art. C371
- Viti di fissaggio

STANDARD FINISHINGS

- Front plate, Bolt, Latch OLV

ACCESSORIES

- Striking plate with tab Art. 357 OLV
- Plastic bolt and latch milling cover Art. C371
- Fixing screws



W3216/85

Serratura per bagno | Doppio quadro 8mm | Catenaccio e Scrocco | 1 Mandata | Azionamento quadro 8mm
Mesh SWAROVSKI

Bathroom lock | Double square hole 8mm | Bolt and Latch | 1 Turn | Square hole movement
SWAROVSKI Mesh

Codice Code	Finitura Finishing						
W3216 85 40 ___ 7	---						
W3216 85 45 ___ 7	---						
W3216 85 50 ___ 7	---						
W3216 85 60 ___ 7	---	1	22x3x238	85		1	20
W3216 85 70 ___ 7	---						
W3216 85 80 ___ 7	---						

Finiture Standard | Standard Finishings

Finitura Finishing	OLV	PLO	OCL ONS	OGM

Serie
3200 - DIAMONDS



Serrature da infilare a cilindro | Scatola Chiusa | DIAMONDS
Mortice locks for profile cylinder | Closed lock case | DIAMONDS

W3212-W3217

Catenaccio
Rullo registrabile
1-2 Mandate
Azionamento a cilindro
Mesh SWAROVSKI

FINITURA DI SERIE

- Piastra frontale, Catenaccio, Rullo OLV

DOTAZIONE

- Contropiastra con aletta Art. 357 OLV
- Vaschetta coprifresata scrocco e catenaccio Art. C371
- Viti di fissaggio
- CILINDRO ESCLUSO

Bolt
Adjustable roller
1-2 Turns
Cylinder movement
SWAROVSKI Mesh

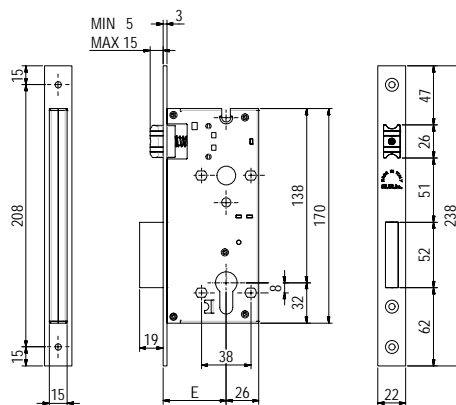
STANDARD FINISHINGS

- Front plate, Bolt, Roller OLV

ACCESSORIES

- Striking plate with tab Art. 357 OLV
- Plastic bolt and latch milling cover Art. C371
- Fixing screws
- CYLINDER NOT INCLUDED

Serie 3200 - DIAMONDS



Serrature da infilare a cilindro | Scatola Chiusa | DIAMONDS
Mortice locks for profile cylinder | Closed lock case | DIAMONDS

W3212
W3217

Catenaccio | Rullo registrabile | 1-2 Mandate | Azionamento a cilindro | Mesh SWAROVSKI

Bolt | Adjustable roller | 1-2 Turns | Cylinder movement | SWAROVSKI Mesh

Codice Code	Finitura Finishing					
W3212 40 ___ 7	---					
W3212 45 ___ 7	---					
W3212 50 ___ 7	---	2	22x3x238			
W3212 60 ___ 7						
W3212 70 ___ 7						
W3212 80 ___ 7						
W3217 40 ___ 7	---	1				
W3217 45 ___ 7						
W3217 50 ___ 7						
W3217 60 ___ 7						
W3217 70 ___ 7						
W3217 80 ___ 7						

Finiture Standard | Standard Finishings

Finitura
Finishing

OLV	PLO		OCL ONS	OGM
-----	-----	--	------------	-----

W2260/90-W2265/90

Catenaccio e Scrocco
1-2 Mandate
Azionamento con Chiave Patent
Mesh SWAROVSKI
CASSA SERRATURA APERTA

Bolt and Latch
1-2 Turns
Patent Key movement
SWAROVSKI Mesh
OPEN LOCK CASE

FINITURA DI SERIE

- Piastra frontale, Catenaccio, Scrocco, Chiave OLV

STANDARD FINISHINGS

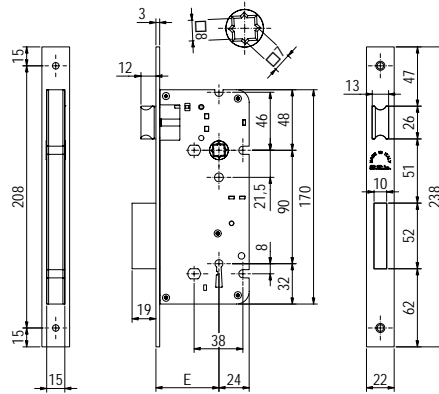
- Front plate, Bolt, Latch, Key OLV

DOTAZIONE

- Contropiastra con aletta Art. 357 OLV
- Vaschetta coprifresata scrocco e catenaccio Art. C371
- Viti di fissaggio
- Chiave Art. 384 OLV (Cifratura UNICA)

ACCESSORIES

- Striking plate with tab Art. 357 OLV
- Plastic bolt and latch milling cover Art. C371
- Fixing screws
- Key Art. 384 OLV (UNIQUE Code)



2260/90 2265/90		Catenaccio e Scrocco 1-2 Mandate Azionamento con Chiave Patent Mesh SWAROVSKI CASSA SERRATURA APERTA					
		Bolt and Latch 1-2 Turns Patent Key movement SWAROVSKI Mesh OPEN LOCK CASE					
Codice Code	Finitura Finishing						
W2260 90 40 ___ 7							
W2260 90 45 ___ 7							
W2260 90 50 ___ 7		2					
W2260 90 60 ___ 7							
W2265 90 40 ___ 7			22x3x238	90		1	20
W2265 90 45 ___ 7							
W2265 90 50 ___ 7		1					
W2265 90 60 ___ 7							

* Gli articoli W2260-W2265 sono solo con scatola aperta | Articles W2260-W2265 are available only with open lock case

Finitura Finishing	Finiture Standard Standard Finishings			
---	OLV	PLO		OCL ONS
				OGM

Serie 3200 - DIAMONDS



Serrature da infilare a cilindro | Scatola Chiusa | DIAMONDS
Mortice locks for profile cylinder | Closed lock case | DIAMONDS

Finiture - *Finishings*

Serie
3200 - DIAMONDS



Serrature da infilare a cilindro | Scatola Chiusa | DIAMONDS
Mortise locks for profile cylinder | Closed lock case | DIAMONDS



OLV
OTTONE LUCIDO
VERNICIATO
*POLISHED AND
LACQUERED BRASS*



PLO
OTTONE PLACCATO
ORO 24KT
*24 KARATS
GOLD-PLATED
BRASS*



OCL
OTTONE CROMATO
LUCIDO
*BRIGHT
CHROME-PLATED
BRASS*



ONS
OTTONE NICHELATO
SATINATO
*SATIN NICKEL-PLATED
BRASS*



OGM
OTTONE BRONZATO
GRAFFIATO OPACO
*ANTIQUÉ BRONZED
BRASS MATT*

